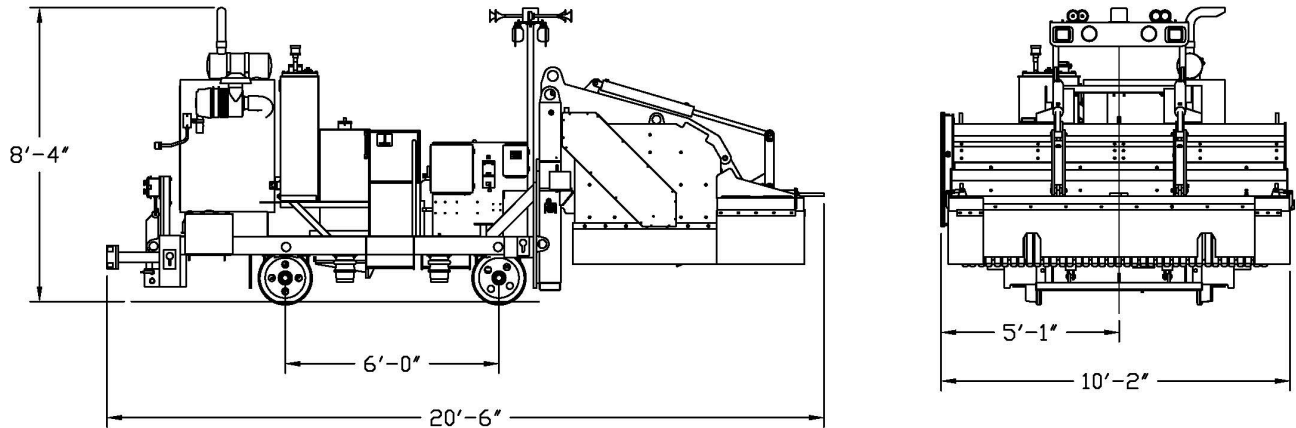


KPB200 Plate Broom

Tier 4



Knox Kershaw's KPB200 Plate Broom is a rail maintenance machine designed specifically for sweeping ballast off the tie plate area of the ties. The machine is towed to the work site and typically pulls a utility cart while working.

Engine Assembly: Cummins QSB 4.5, 121 hp,
Tier 4, 24V electrical system.

Broom: Hydraulically driven through a Polychain "GT" belt and sprocket. The broom reel sweeps the entire tie length. The stone deflector is raised and lowered hydraulically for easy element replacement.

Propel System:

Propel Speed – Work – creeping to 5 mph
Tow – 0 to 25 mph

Wheel and Brakes: 16" cast steel wheels. Air applied, spring released service brake and spring applied air released parking brake on all four wheels.

Hydraulic Pumps and Motors: Veljan Double vane pump, for propulsion system and for controls and broom drive

Hydraulic Tank: Equipped with lockable cap, tank breather, fluid level gauge, magnetic strainer, and particle strainer.

Fuel Tank: Capacity for 16 hours of operation, lockable cap, and particle strainer.

Weight: 18,000 lbs.

Note: Knox Kershaw Inc. reserves the right to make design improvements that may obsolete these specifications. Illustrations may show optional equipment that will not be included on all machines.



Knox Kershaw Inc.

11211 Track work Street
Montgomery, AL 36117
334-387-5669; 334-387-4554 fax
www.knoxkershaw.com