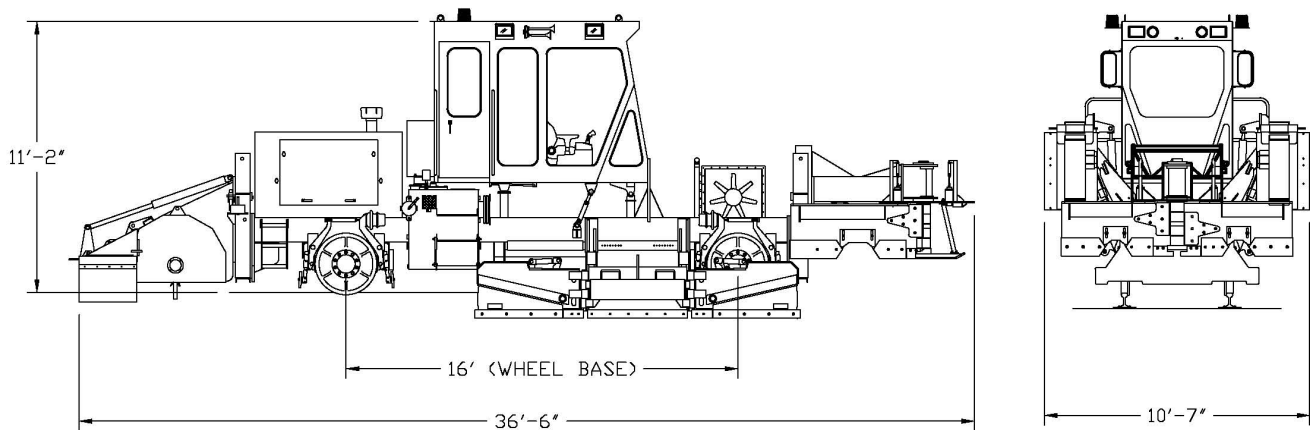


KBR925 Ballast Regulator

(Convertible Gauge)



Knox Kershaw's KBR925 convertible gauge Ballast Regulator is a powerful track dressing machine. It can be equipped with a one pass type plow, reversible side wings, and a broom attachment. The machine features excellent visibility and operator comfort made possible by a rear mounted engine and tilt cab with unique window placement. The machine can be equipped with various snow plows, snow wings, and snow switch cleaner for snow fighting. The machine assembly includes parts required to make the conversion from 1435mm (56.5") to 1600mm (63") gauge.

Engine Assembly: Cummins QSB6.7, 240 hp, Tier 3 with Funk double pump drive using Twin Disc clutch.

Cab: Hydraulically tilting cab with wall mounted hydraulically driven air conditioner, sound insulated, comfortable operator's seat with mechanical suspension and seat belt, safety glass windows, electric wipers, air horn, rear view windows, west coast mirrors, travel lights, brake lights, rotating strobe and four side work lights. Backup alarm, speedometer and fire extinguisher are standard equipment. Cab features a "clean roof" design with no components mounted on the roof. Access to lights is possible from inside the cab.

Brakes: Clasp type air applied brakes on all four wheels with composition shoes. Service brakes are air applied, spring released. Parking brakes are spring applied, air released.

Broom: Sweep width – 110" (2794 mm), single motor chain drive is standard. Deflector includes high performance baffles for quick transfer of excess ballast to the track shoulders. Deflector assembly is hydraulically raised and lowered

Wings: 1.5 cu.yd. capacity, T-1 steel construction, 36" (914 mm) wide, designed for free flow of ballast. Wing template doors feature break away cylinder mounting to minimize potential damage. Articulated template doors are optional and designed for excellent control while dressing the shoulder. Wing reach is 13'-0" (3962 mm) from centerline of track.

Transmission: Funk six speed power shift transmission.

Capacities: Fuel Tank: 105 gal (398 L), Hydraulic Tank: 100 gal (378 L)

Weight: 44,000 lbs. (20000 kg)

Optional Equipment: Red marker lights, Tinted windows, Lexan windows, Window guards, Jump seat, Engine block heater, High pressure filtration for broom & control circuit, Shut off ball valves on suction lines, Hydraulic replenishment pump, Air dryer, Insulated broom housing, Reversible broom assembly, Dust collector, Snow equipment, Wing articulated templates, Variable width wings, Four season plow assembly.



Knox Kershaw Inc.

11211 Track work Street
Montgomery, AL 36117
334-387-5669; 334-387-4554 fax
www.knoxkershaw.com